


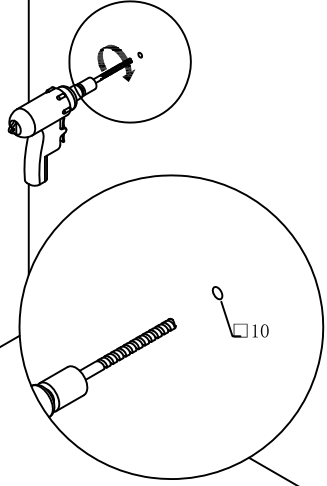


Item No. :502002-36

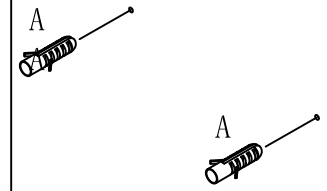
# Assembly Instruction

Hardware		
No.	Draw	Qty
A		2 PCS
B		2 PCS
C		2 PCS

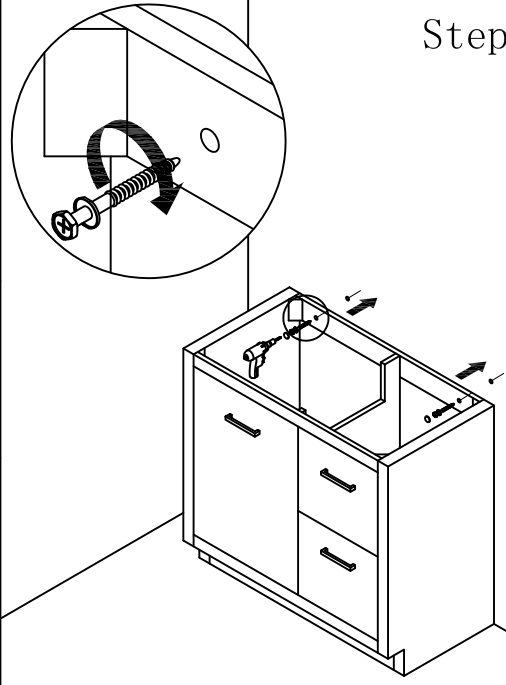
Step1



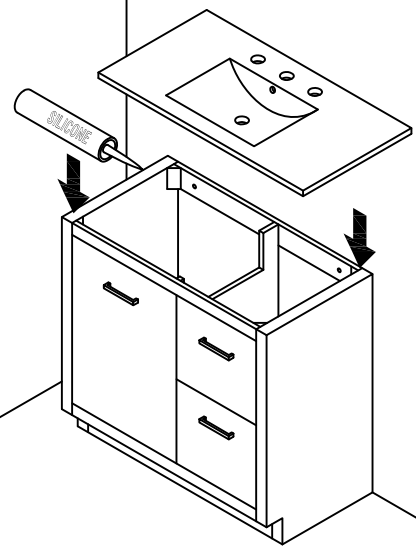
Step2



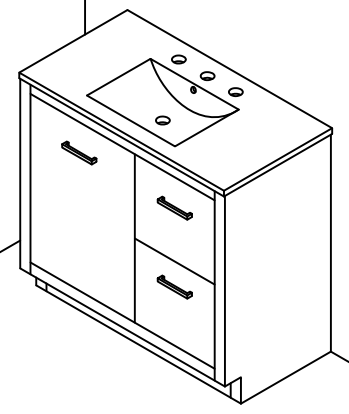
Step3



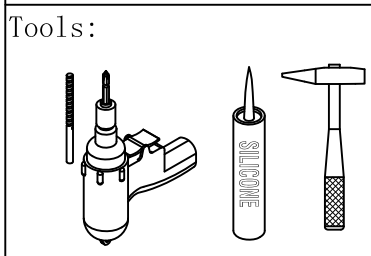
Step4



Finished




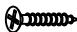
Description:  
Main Cabinet  
Size:  
900x470x850mm



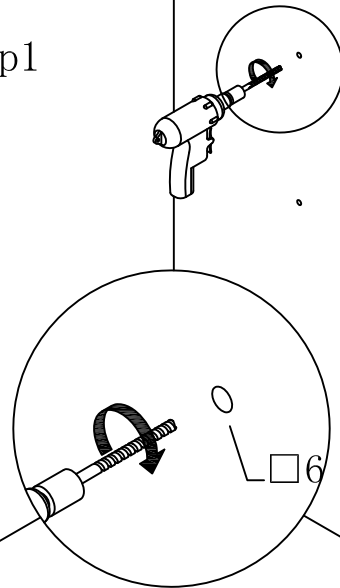
Item No. :502002-36

# Assembly Instruction

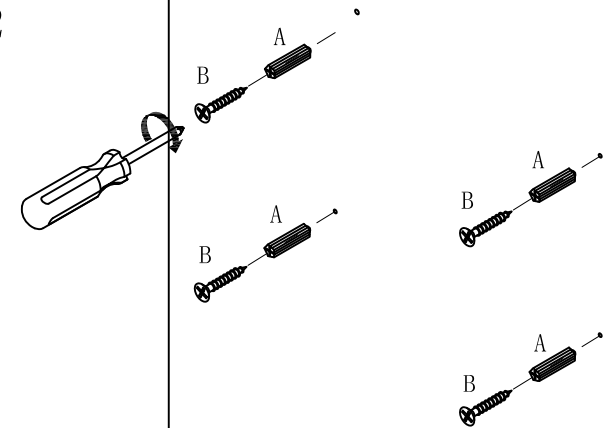
## Hardware

No.	Draw	Qty
A		4 PCS
B		4 PCS

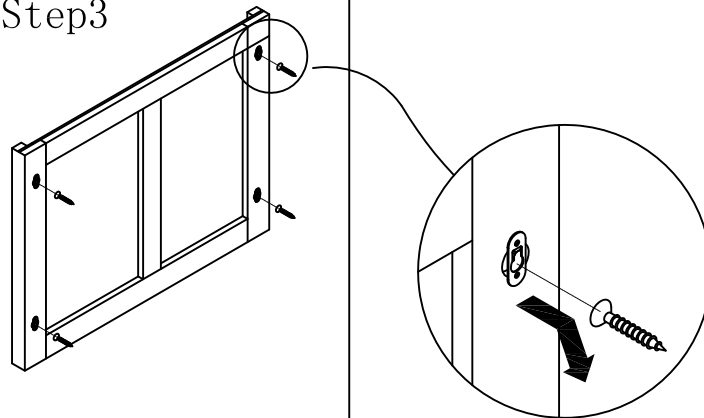
Step1



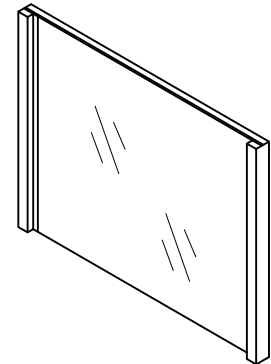
Step2



Step3



Finished



Description:

Mirror

Size:

900x43x650mm

Tools:

